

SOLENOID VALVE CARTRIDGE 9

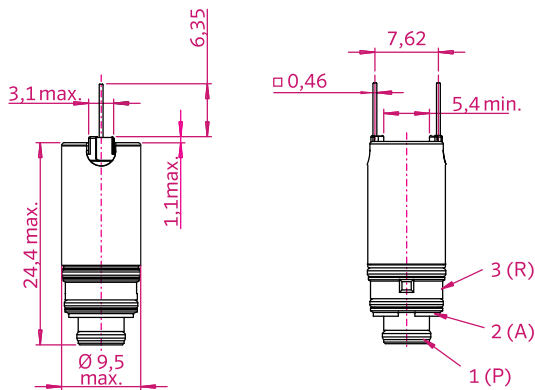
Switching function: 3/2 way, 2/2 way
 De-energized state: NC (normally closed), NO (normally open)
 Operating voltage: 24 V DC
 Sealing material: sealing element NBR

General Data

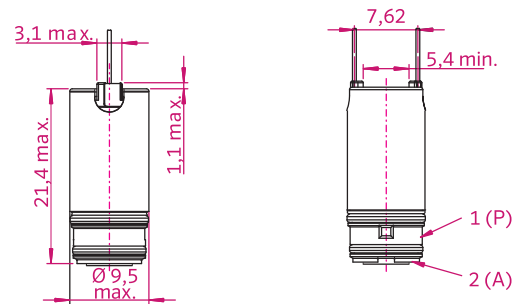
Voltage tolerance ± 10 %
 Ambient temperature - 10 °C to + 40 °C (+ 50 °C with accessoires possible)
 Relative duty cycle 100 %
 Activation/deactivation period
 according to ISO/CD12238 nominal 6 ms/6 ms
 Insulation class of insulating materials
 according to DIN VDE 0580 Y
 Degree of protection according to EN 60529 IP 00
 High voltage test according to VDE 0580 500 V
 Quality of medium according to ISO 8573-1 compressed air class 2, 3, 3
 Mounting position any (preferably plunger in vertical direction)



3/2 way NC (normally closed)



2/2 way NO (normally open)



Technical Data Standard Versions

Part No.	Switching function	Nominal Orifice [mm]		Pressure [bar]	Flow Rate [l/min]		Rated Power [W]
		inlet	exhaust		1-2	2-3	
120-070-0001	3/2 way NC	0,5	0,8	5,0 to 10	10	17	1,0
120-070-0002	2/2 way NO	0,5	0,8	2,8 to 4,6	17		1,0

Available on request (amongst others):

- electronic protective circuit;
- PWM power reduction;
- increased ambient temperature;
- increased voltage change;
- modified pressure tolerances;
- individual voltages.